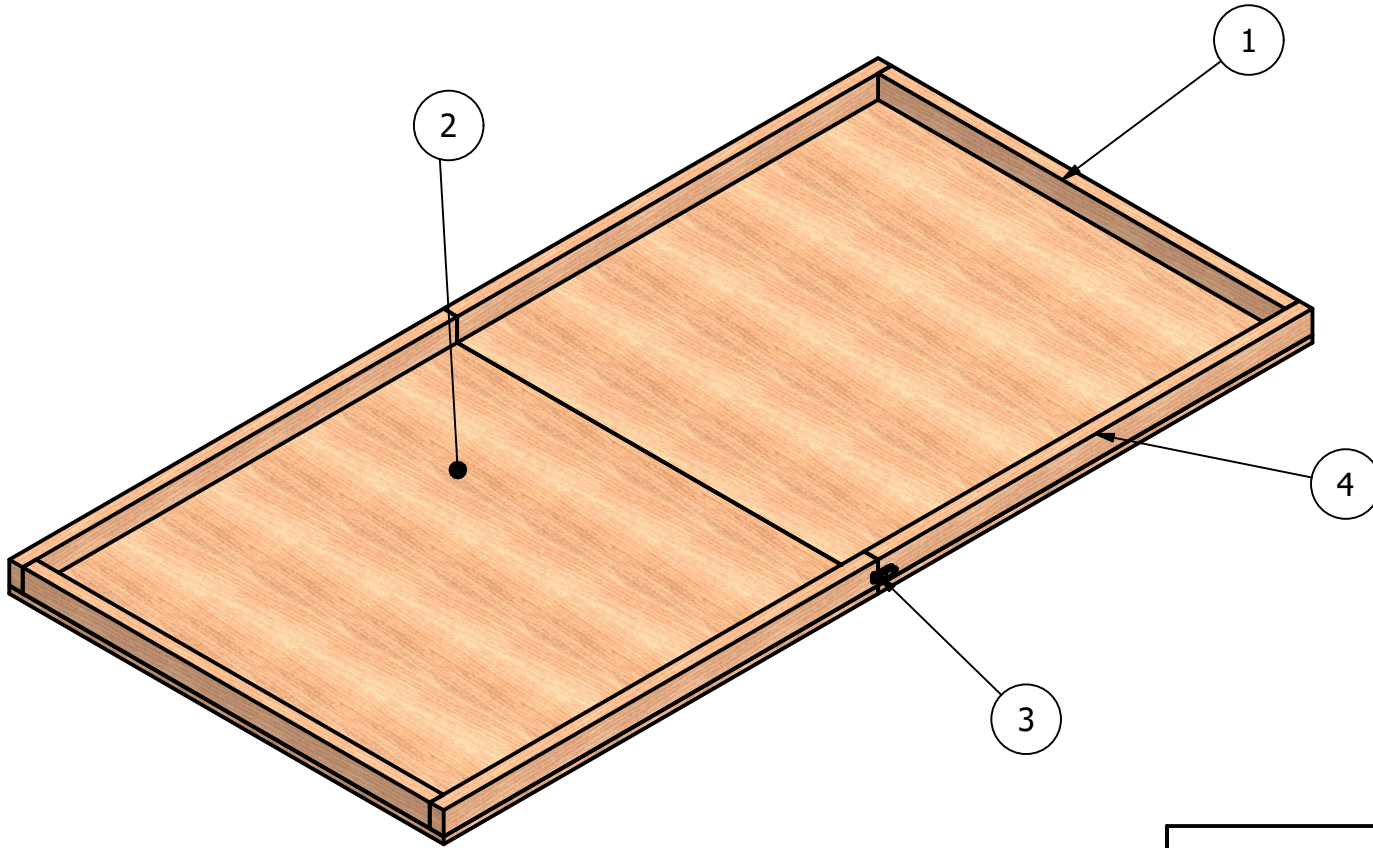


PARTS LIST			
ITEM	QTY	PART NUMBER	DESCRIPTION
1	4	Short Border Wall	1.5"x2"x45"
2	2	Table Piece A	48"x48"x0.75"
3	2	1590A13_Draw Latch	STEP AP203
4	4	Long Border Wall	1.5"x2"x48"



Sierra		
SIZE A	Table Assembly	5/16/2024
SCALE 1 / 15		SHEET 1 OF 1